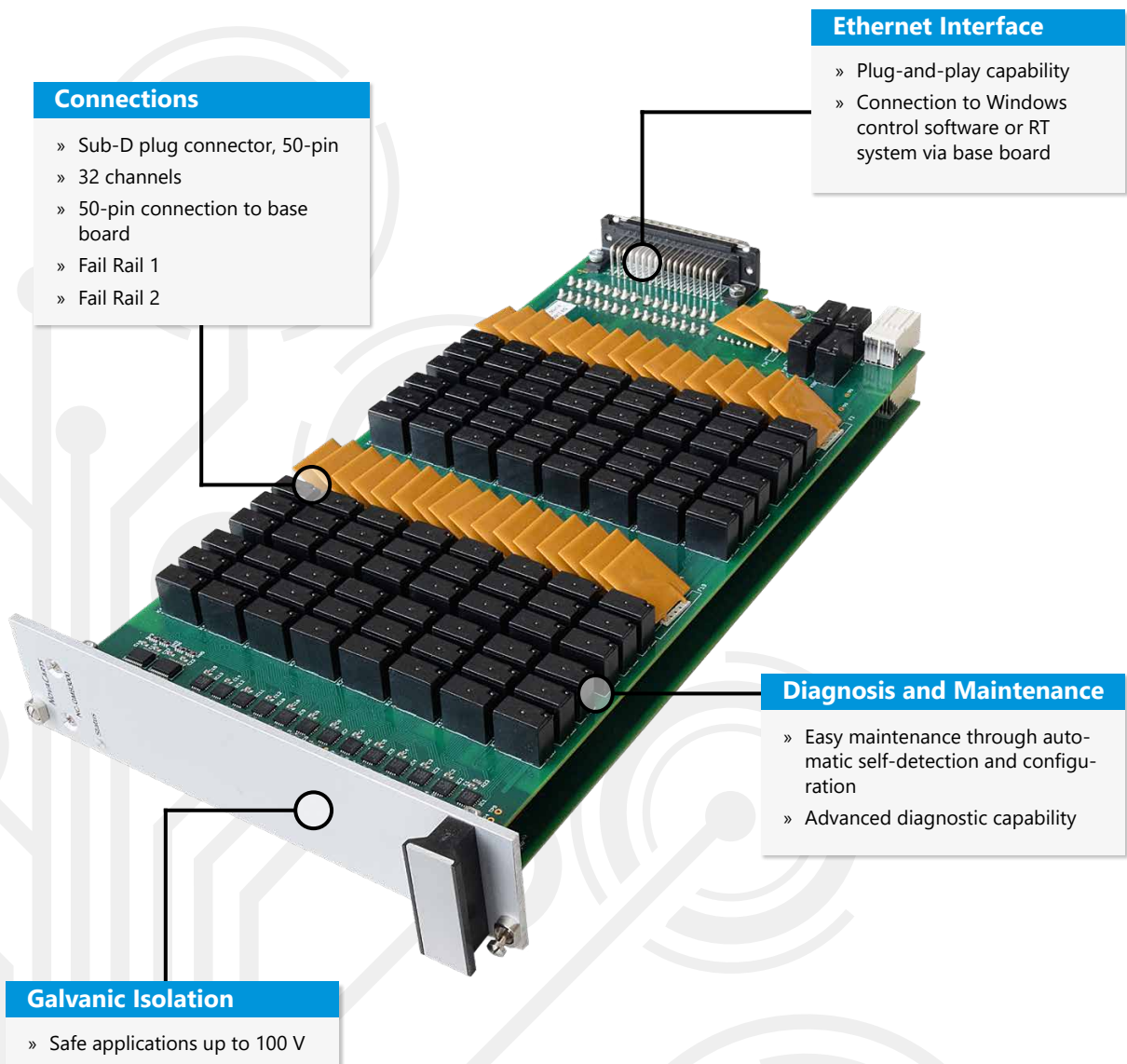


NovaCarts Failure Insertion Board

The NC-FIE4400 plug-in board is available as an option for error activation and can be connected to the NovaCarts Multi I/O Board – NC-GMB3000. This extension board allows the following errors to be generated in the signal lines: interruption, crossover between signals, short circuits to Fail Rail 1 and Fail Rail 2. The board also offers an additional connection for real loads and equivalent loads.



Data Sheet

Module name: **NC-FIE4400**

Data sheet version: **1V0**

Features

Number of channels	32
Power supply	24 V
Operating temperature	0 to +55 °C
Storage temperature	-20 to +70 °C
Humidity	10 % to 90 % (no condensation)
Dimensions	Height: 4U, Width: 4U
Connection to RT system	Ethernet via base module (currently NC-GMB3000)

Specifications

Relays

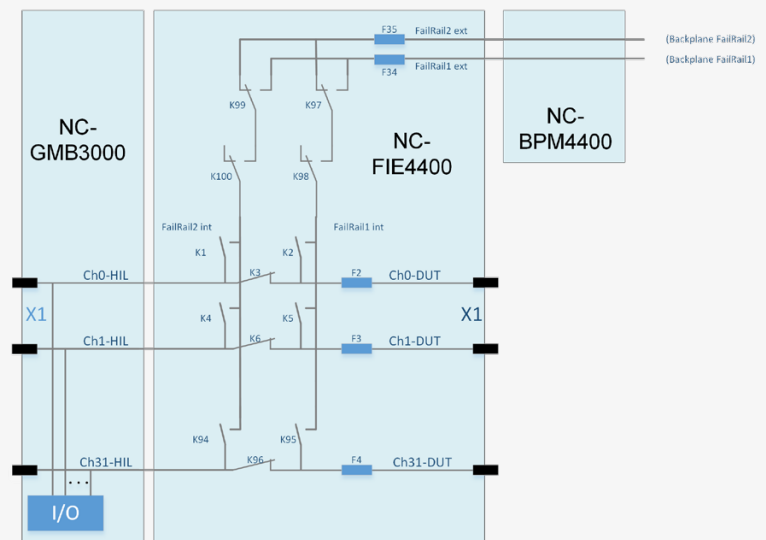
Maximum switching current	7 A
Maximum switching power	50 VA

Protection

Maximum current	7 A
Maximum voltage	30 V
Self-healing	Yes

Galvanic Isolation

Channel to channel	100 V
Channel to system	100 V



Despite great care being taken to ensure accuracy, the information provided may contain errors or inaccuracies. MicroNova AG and ks.MicroNova GmbH assume no liability for the use of the information or for the infringement of patents or the rights of third parties. All specifications are subject to change without notice. Use does not entail any implied or other form of assignment of license under any patent or patent law.

All trademarks and logos are the property of the company concerned.